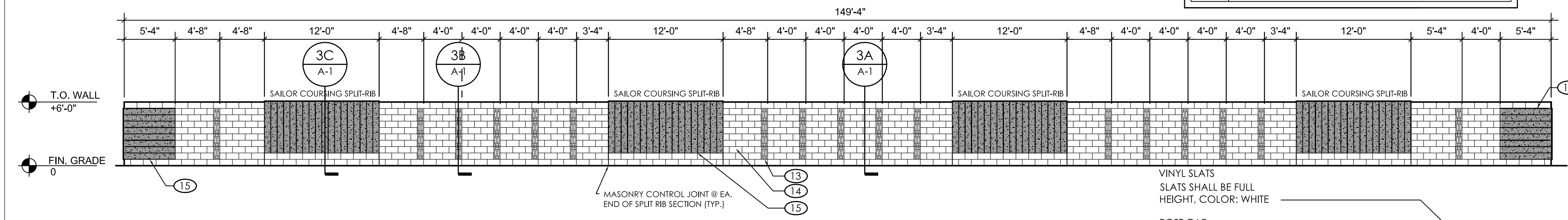
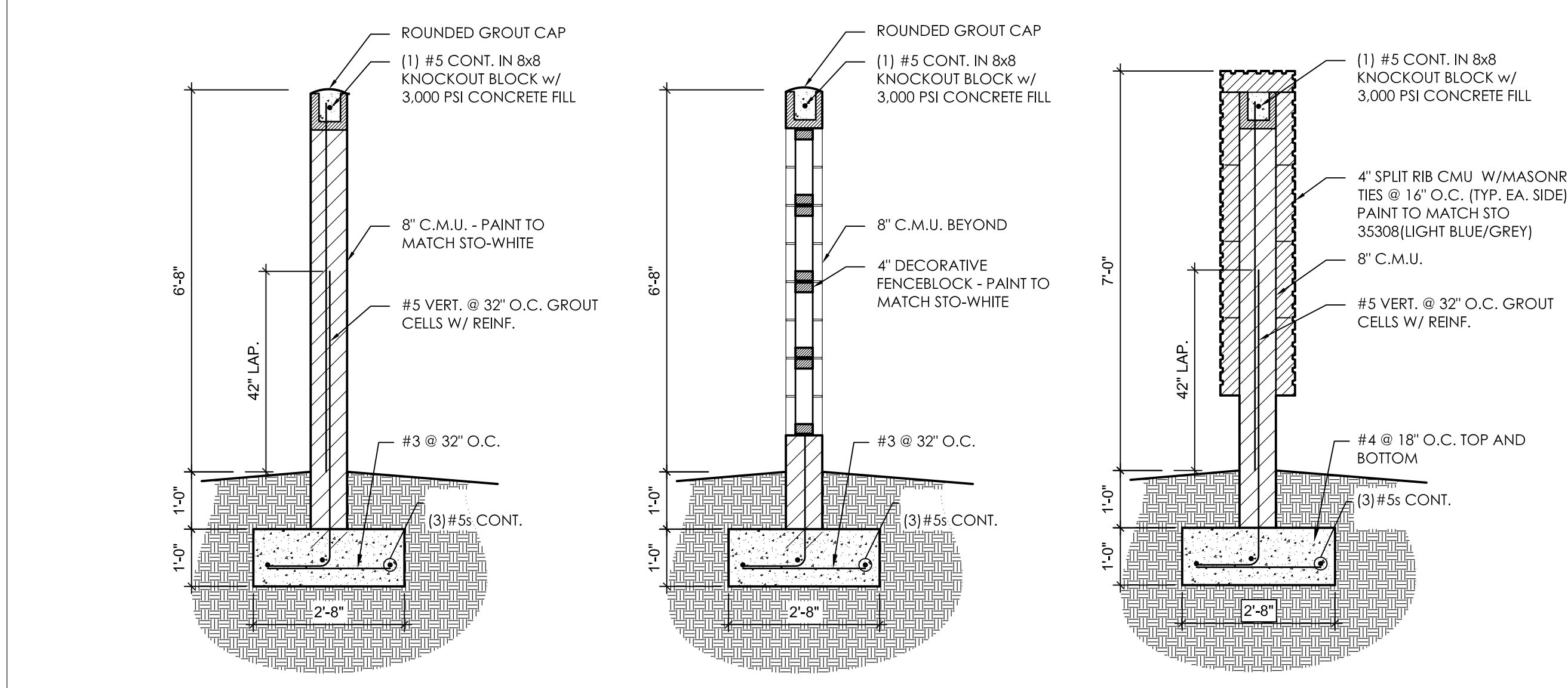


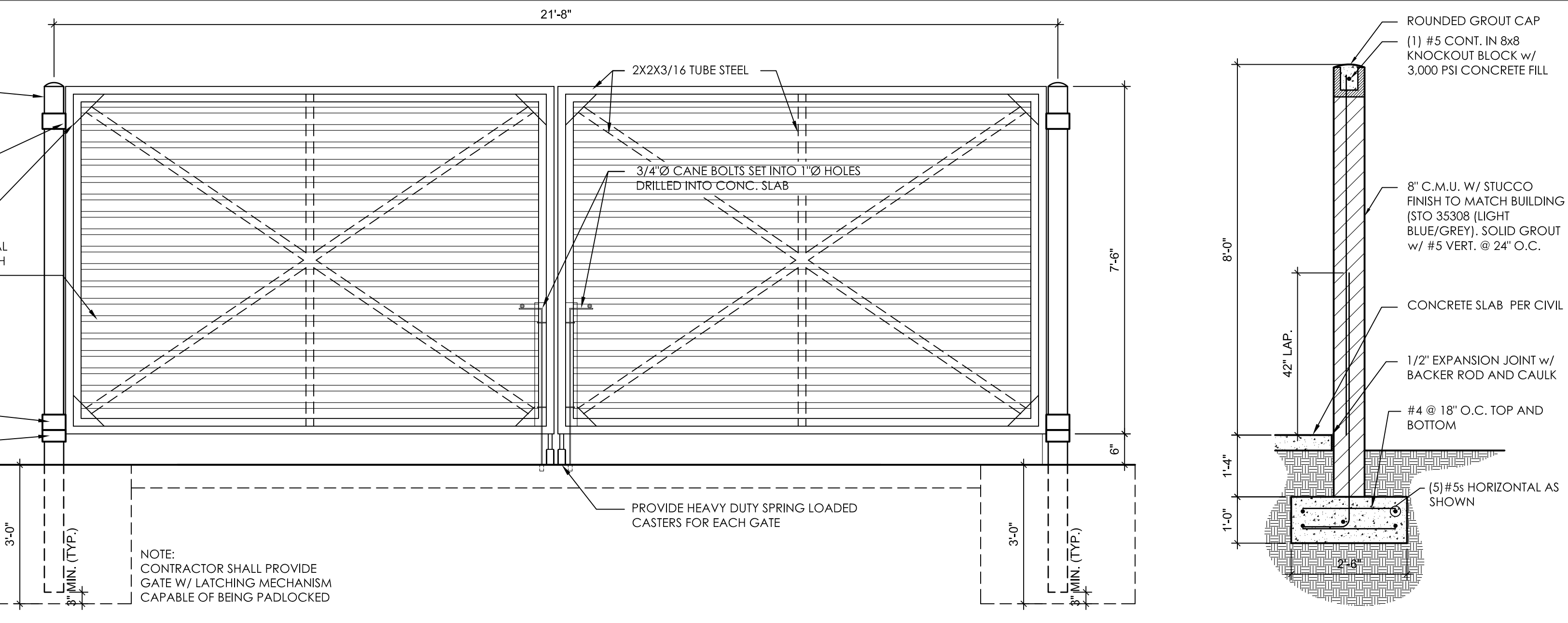
1 ARCHITECTURAL SITE PLAN
A-1 SCALE: 1" = 30'-0"



2 SITE WALL ELEVATION
A-1 SCALE: 1/8" = 1'-0"

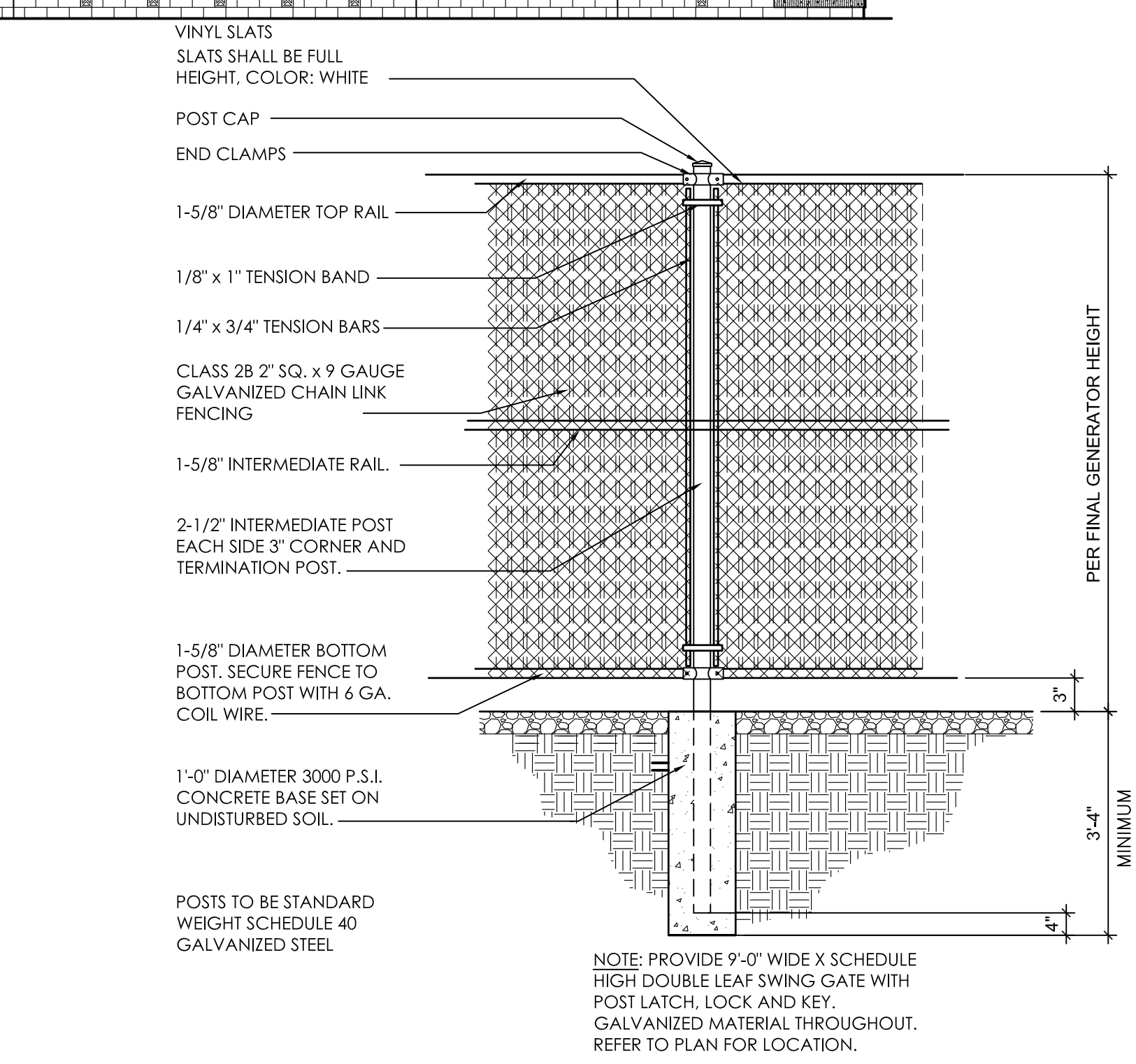


3A SITE WALL DETAIL A-1 SCALE: 1/2" = 1'-0"
3B SITE WALL @ DECORATIVE A-1 SCALE: 1/2" = 1'-0"
3C SITE WALL @ SPLIT RIB A-1 SCALE: 1/2" = 1'-0"

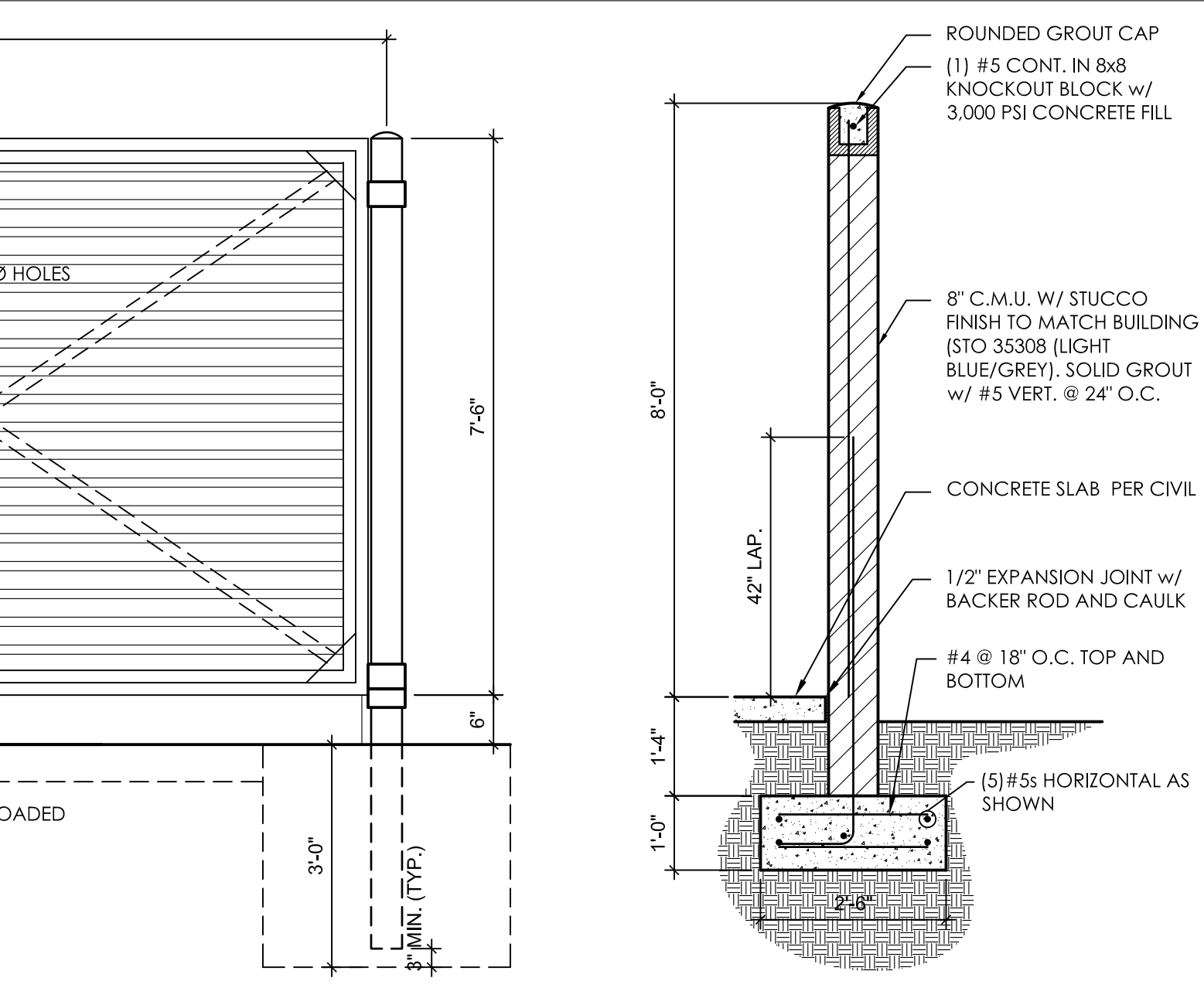


4 GATE FRAME DETAIL
A-1 SCALE: 1/2" = 1'-0"

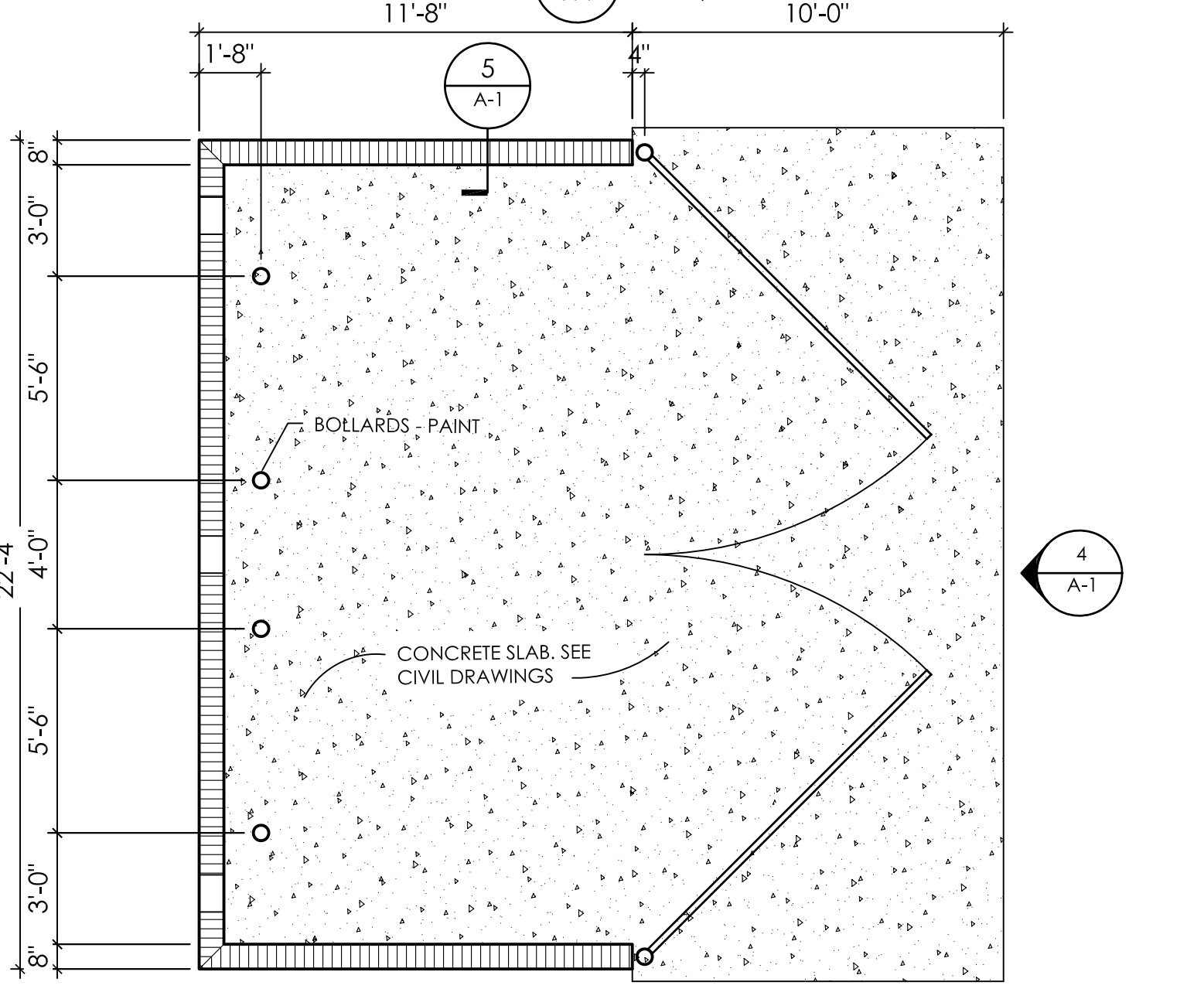
SITE WALL FINISH SCHEDULE	
TAG	MATERIAL MANUFACTURER (PRODUCT) COLOR
13	DECORATIVE FENCE BLOCK A-1 BLOCK (#314 - DOUBLE Y) PAINT TO MATCH STO WHITE
14	8" CONCRETE MASONRY UNIT A-1 BLOCK (STANDARD 8" GRAY BLOCK) PAINT TO MATCH STO WHITE
15	4" SPLIT RIB CONCRETE MASONRY UNIT A-1 BLOCK (4" SPLIT RIB - 6 RIB) PAINT TO MATCH STO 35308 (LIGHT BLUE/GRAY)



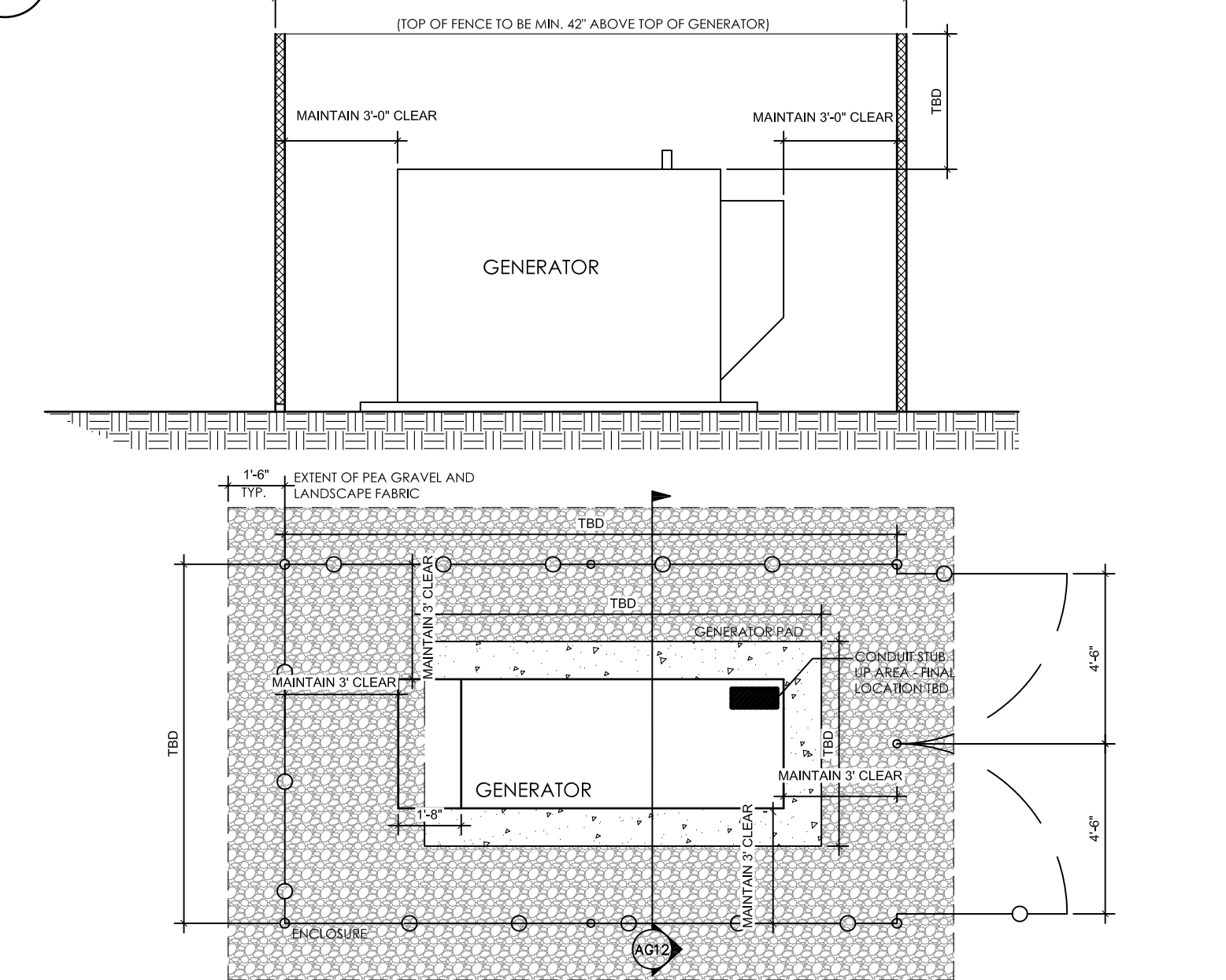
AG10 GENERATOR ENCLOSURE DETAILS
A-1 SCALE: 1/2" = 1'-0"



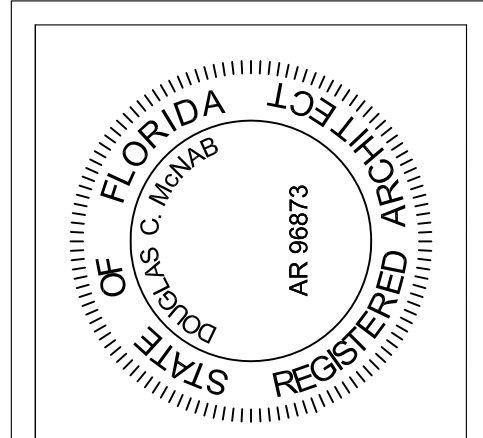
5 TRASH ENCLOSURE WALL DETAIL
A-1 SCALE: 1/2" = 1'-0"



6 FLOOR PLAN - DUMSTER ENCLOSURE
A-1 SCALE: 1/4" = 1'-0"



AG13 TYPICAL GENERATOR ENCLOSURE
A-1 SCALE: 1/4" = 1'-0"



DOUGLAS C. McNAB | ARCHITECT
 8148 Old Federal Road
 Montgomery, AL 36117
 205-833-4496
 884-271-8015
 MEMBER - AMERICAN INSTITUTE OF ARCHITECTS

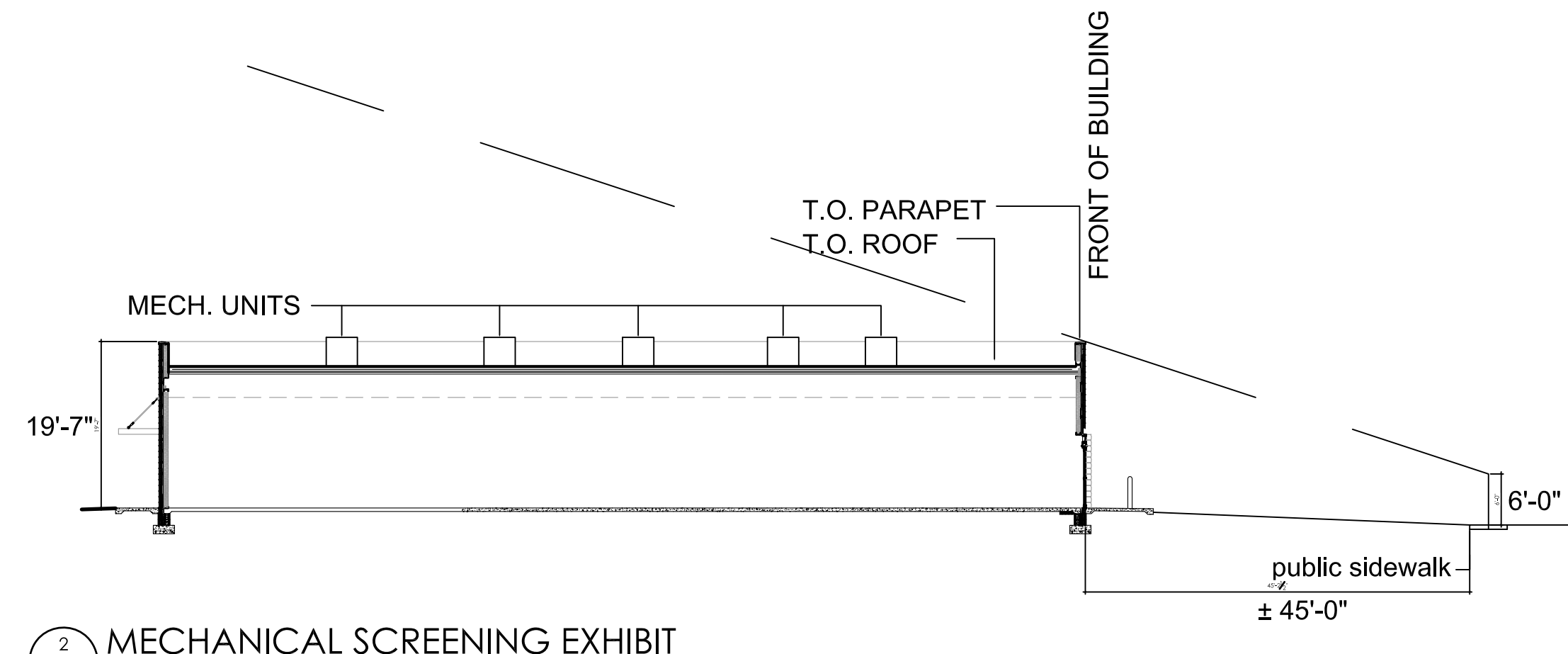
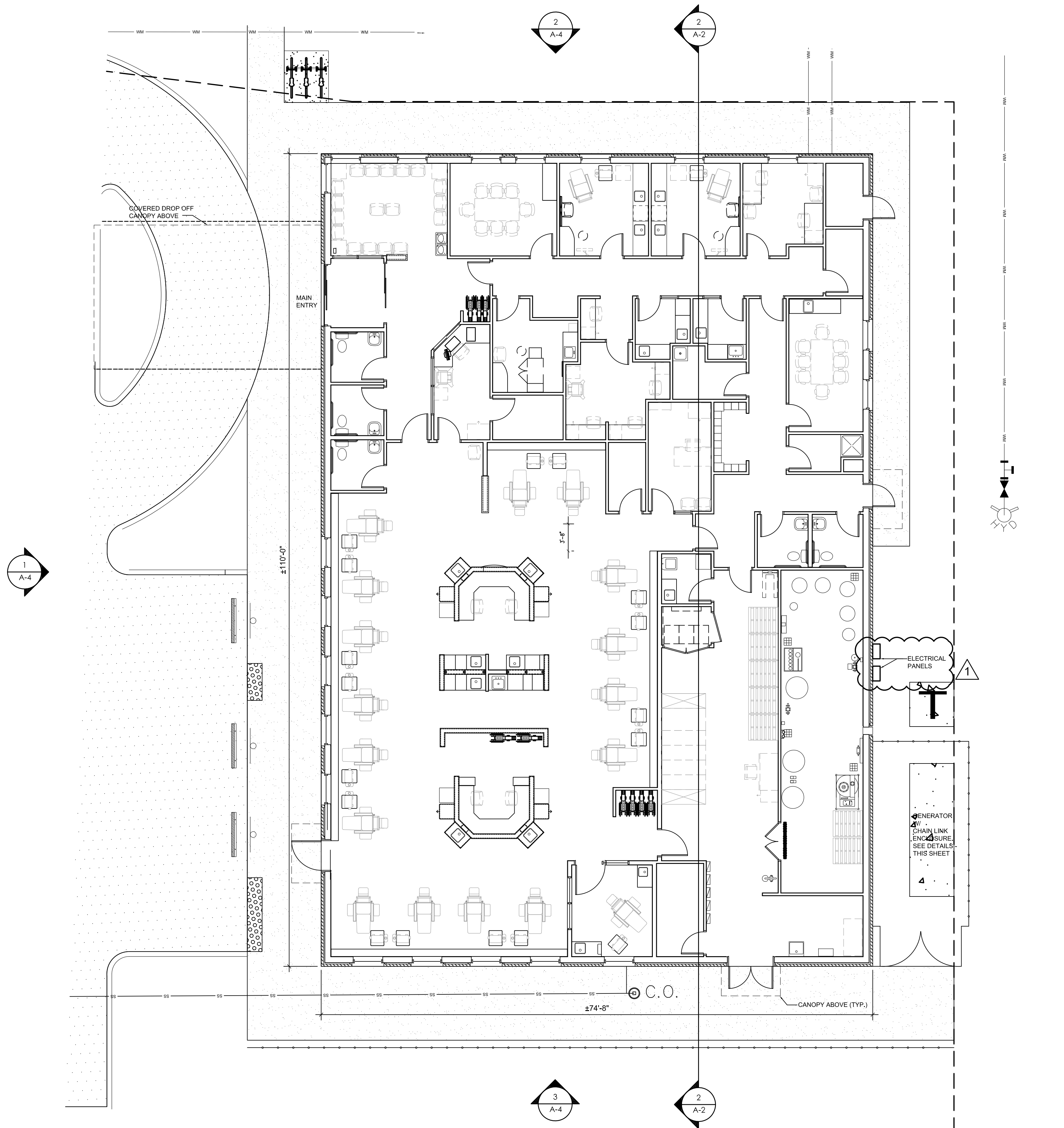
CONCEPTUAL DESIGN
PEMBROKE PINES MEDICAL OFFICE
 8100 JOHNSON STREET
 PEMBROKE PINES, FL

CONCEPTUAL DESIGN

Drafted By: JHD
 Checked By: JHD
 Date Drawn: 8/14/17
 Project #: 1723

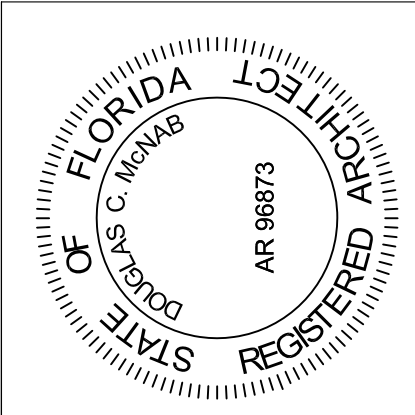
REV #	DATE	REVISION DESCRIPTION	DRC COMMENTS
1	9-22-2017		
2	10-26-2017		

A-1
 Sheet Number



1 A-2 PRELIMINARY FLOOR PLAN
SCALE: 1/8" = 1'-0"

2 A-2 MECHANICAL SCREENING EXHIBIT
SCALE: 1/16" = 1'-0"



DOUGLAS C. McNAB | ARCHITECT
 8148 Old Federal Road
 Montgomery, AL 36117
 Phone: 205.833.4496
 Fax: 205.833.4496
 884.271.8015
 MEMBER - AMERICAN INSTITUTE OF ARCHITECTS

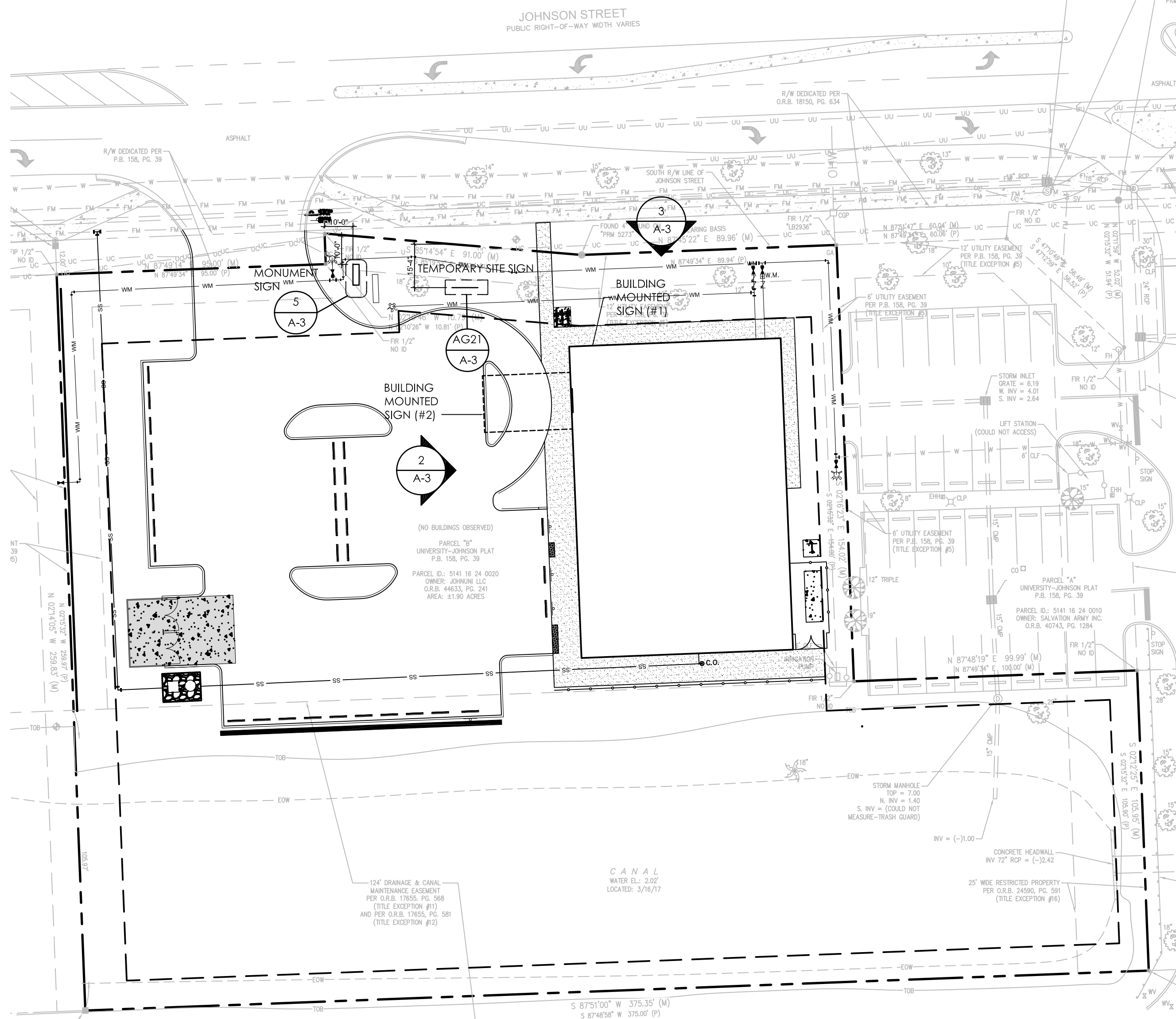
CONCEPTUAL DESIGN
PEMBROKE PINES MEDICAL OFFICE
 8100 JOHNSON STREET
 PEMBROKE PINES, FL

CONCEPTUAL DESIGN

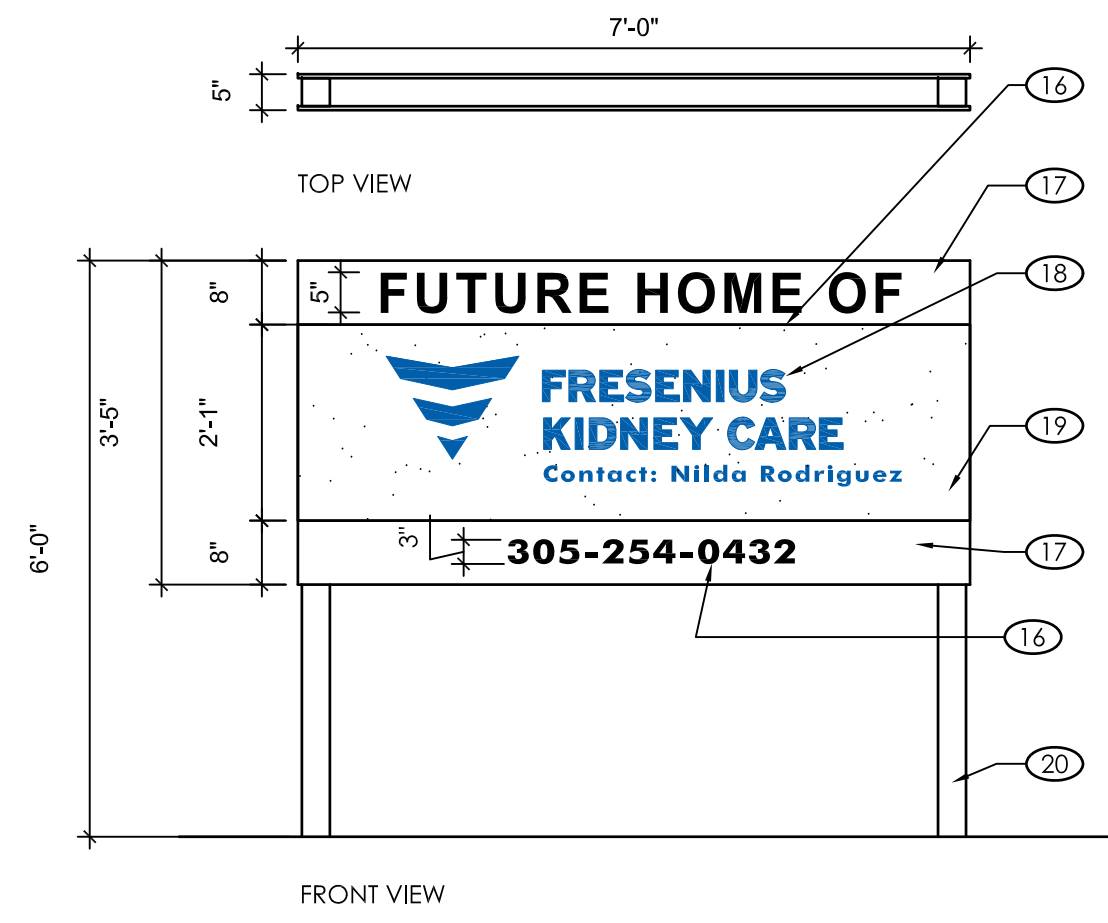
Drafted By: JHD
 Checked By: JHD
 Date Drawn: 8/14/17
 Project #: 1723

REV #	DATE	REVISION DESCRIPTION	DRC COMMENTS
1	9-22-2017		

A-2
 Sheet Number



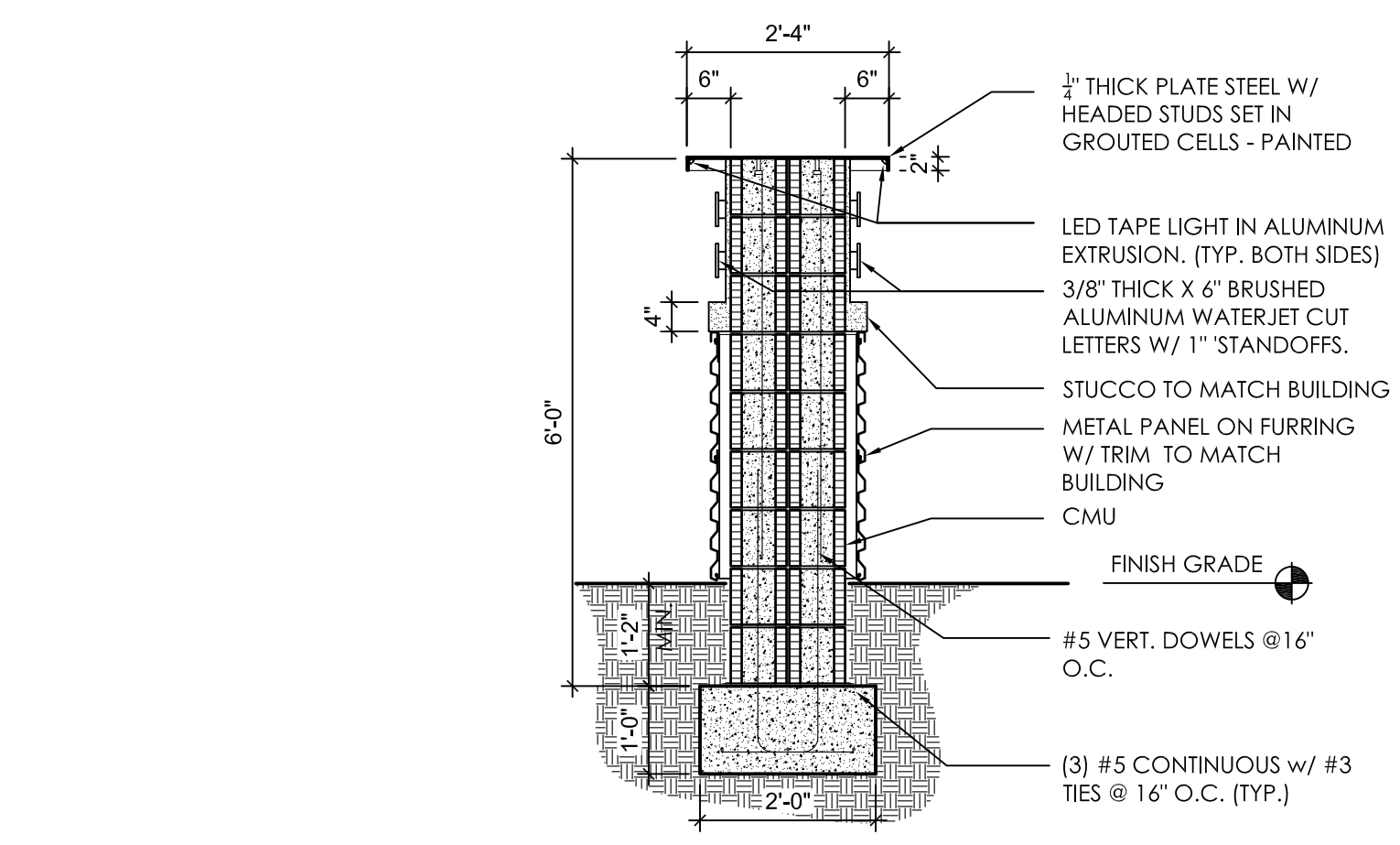
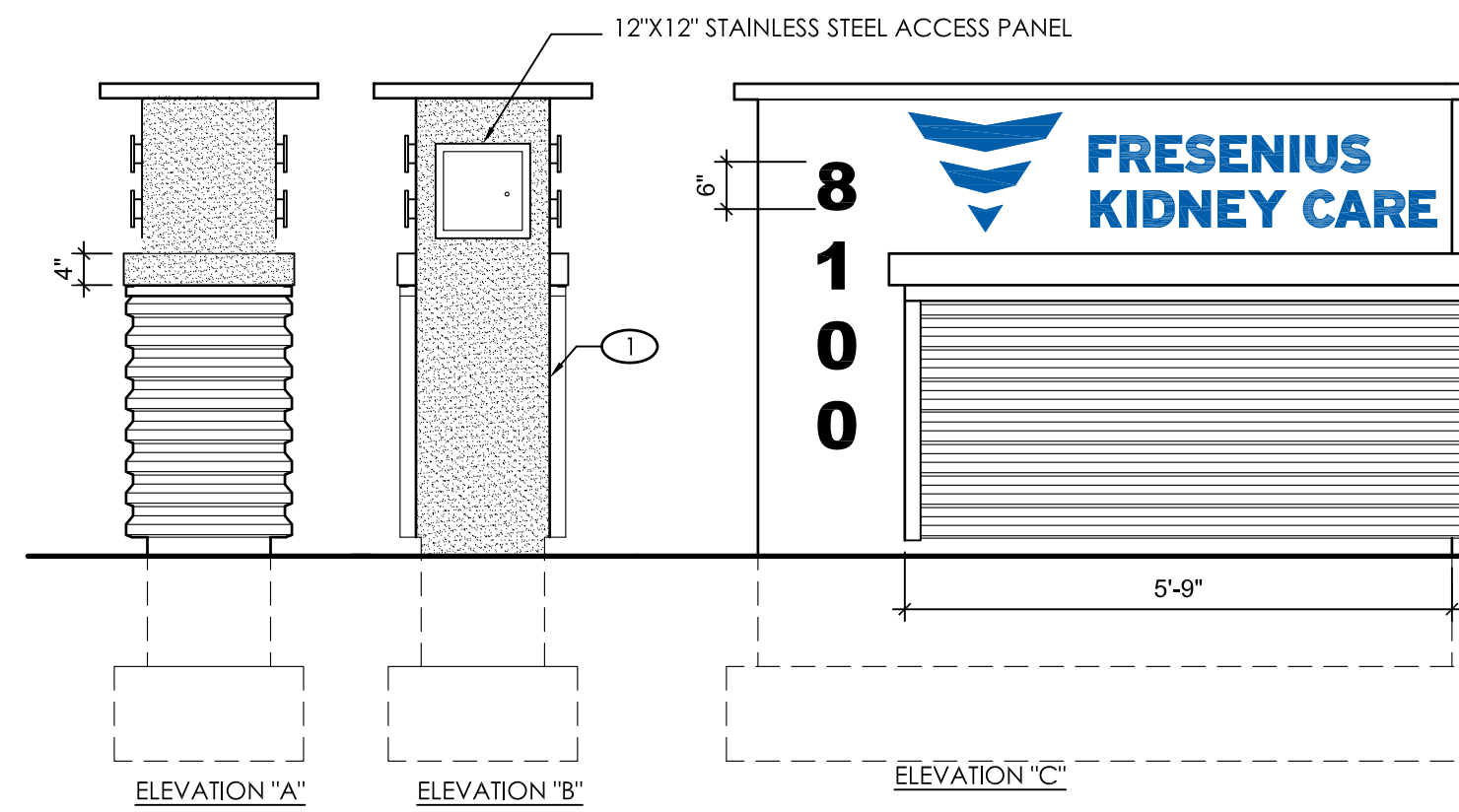
1 ARCHITECTURAL SITE PLAN
A-3 SCALE: 1" = 30'-0"



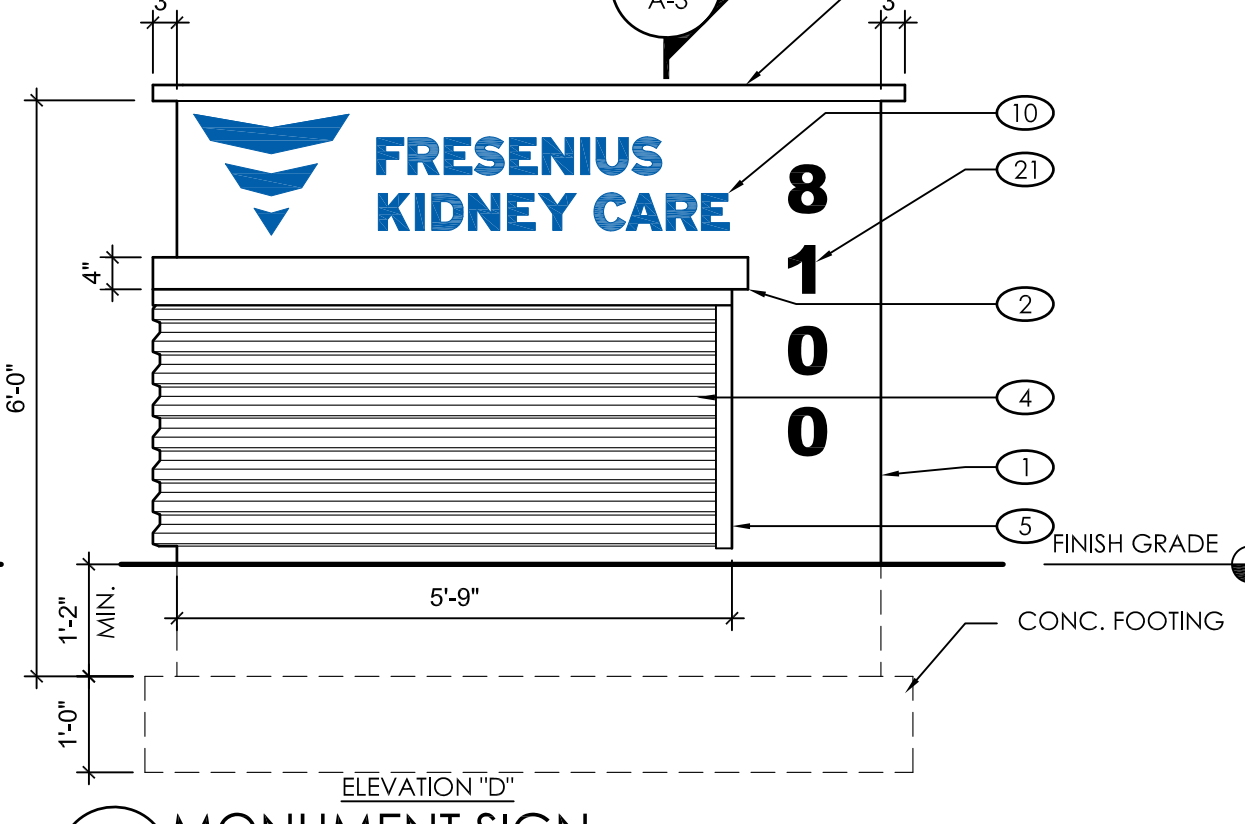
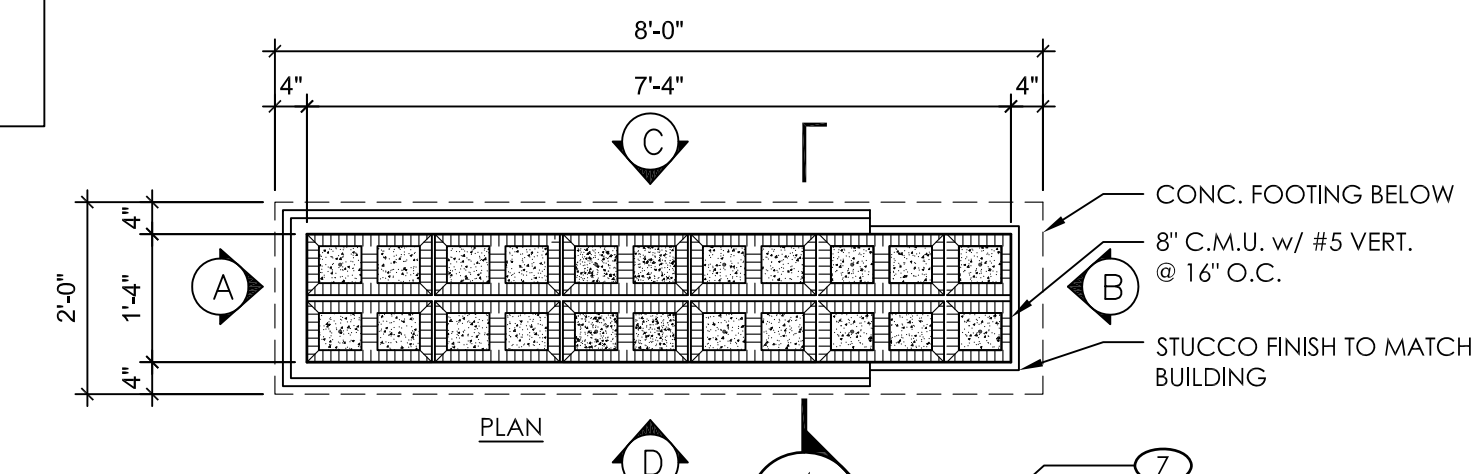
AG21 FKC TEMPORARY SITE SIGNAGE
A-3 SCALE: 1/2" = 1'-0"

NOTE:
1) FKC LOGO, LETTERING AND LAYOUT LETTERING MUST COMPLY WITH FKC VISUAL IDENTITY STANDARDS AS INDICATED IN THE "FKC VISUAL IDENTITY GUIDE - JAN 2016"
2) SIGN CAN BE SINGLE OR DOUBLE SIDED DEPENDING ON SPECIFIC CONDITIONS

ADDITIONAL SIGN NOTES: (2 SIDED - MARQUEE SIGN)
A. SIGN IS FABRICATED TO BE INDIVIDUALLY PIN-MOUNTED TO CMU BASE
B. CIRCUIT (1) 20A-120V 1/2" WATER-TIGHT CONDUIT POWER SUPPLY FOR LED
C. ALL ELECTRICAL COMPONENTS SHALL BE U.L. LISTED

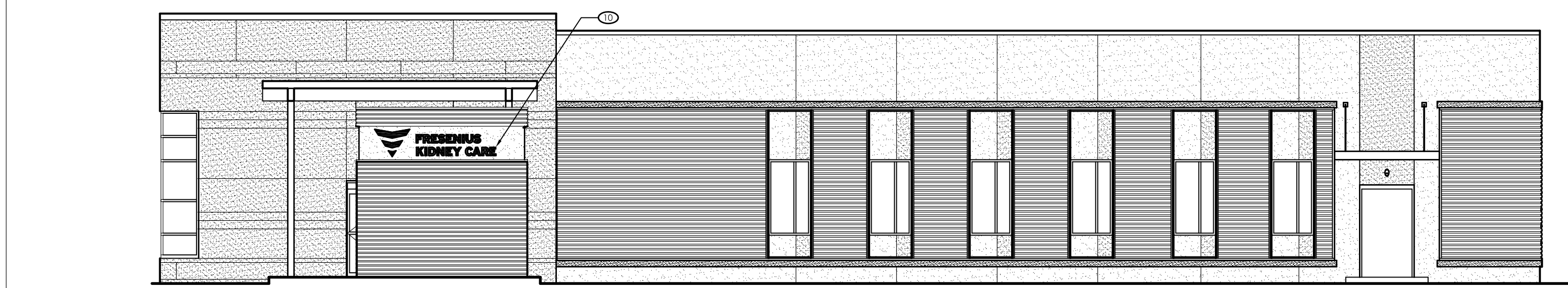


4 MONUMENT SIGN
A-3 SCALE: 1/2" = 1'-0"

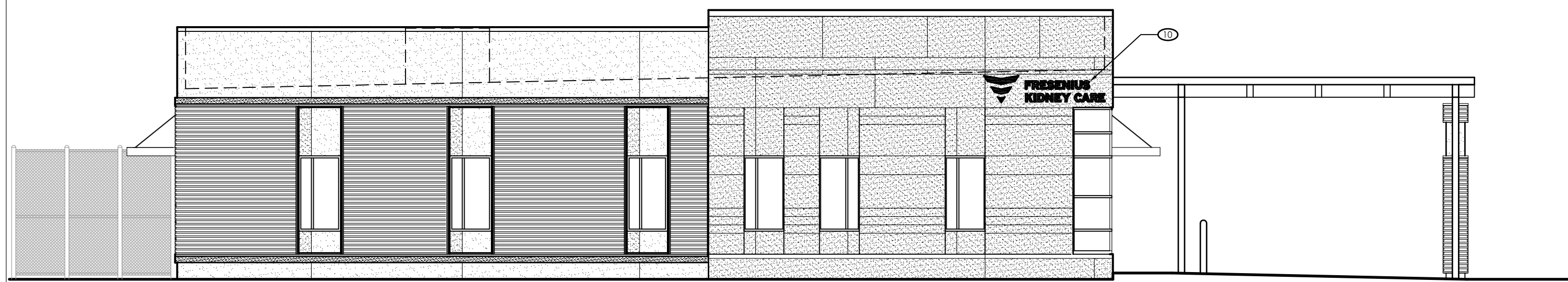


5 MONUMENT SIGN SIGNAGE AREA: 16 SQUARE FEET
A-3 SCALE: 1/2" = 1'-0"

TOTAL SITE SIGNAGE:
BUILDING: 40 S.F.
MONUMENT: 16 S.F.
40 + 16 = 56 S.F. TOTAL SITE SIGNAGE

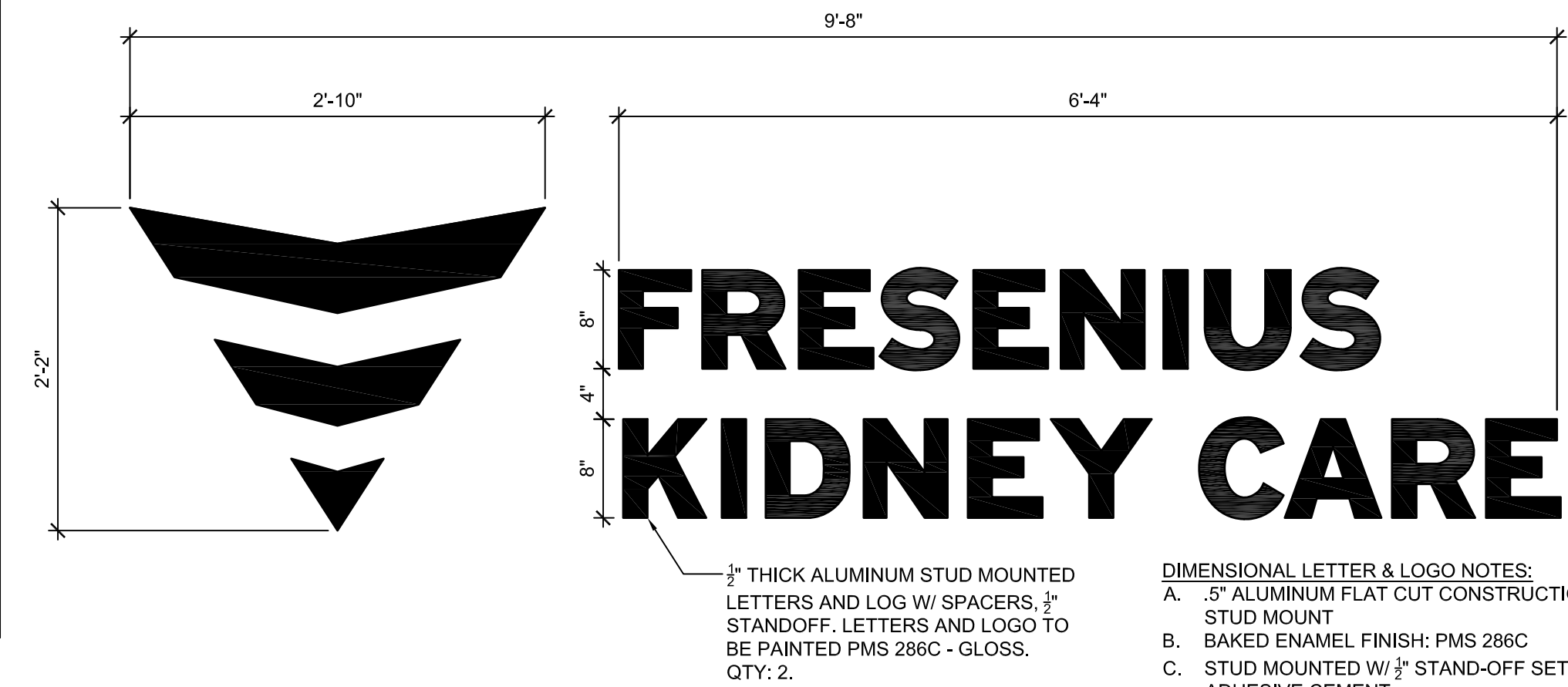


2 WEST ELEVATION
A-3 SCALE: 3/16" = 1'-0"



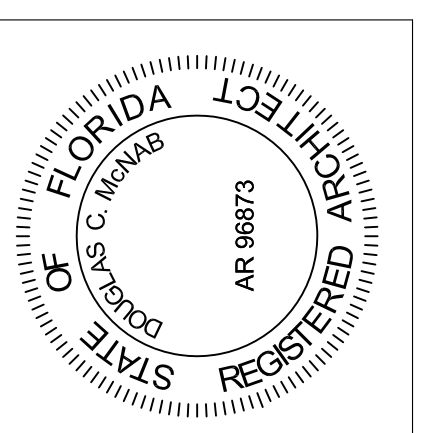
3 NORTH ELEVATION
A-3 SCALE: 3/16" = 1'-0"

EXTERIOR FINISH SCHEDULE	
TAG	MATERIAL MANUFACTURER (PRODUCT) COLOR
1	INTEGRAL COLOR STUCCO #1 (MAIN BODY) STO POWERWALL STUCCO STO WHITE
2	INTEGRAL COLOR STUCCO #2 (ACCENT BAND) STO POWERWALL STUCCO 33144 (BROWN)
3	INTEGRAL COLOR STUCCO #3 (MAIN ENTRY/ACCENT) STO POWERWALL STUCCO 33308 (LIGHT BLUE/GREY)
4	PREFINISHED METAL PANEL BERTRIDGE (HR-16 WALL PANEL) PARCHMENT (V-GRY)
5	PREFINISHED METAL PANEL TRIM BERTRIDGE DARK BRONZE
6	METAL COPING METAL-ERA (ANCHOR-BITE STANDARD) FASCIA) DARK BRONZE
7	PRE-CUT METAL SIGNAGE MANUFACTURER T.B.D. SULTAN BLUE
8	WHITE LETTERING APPLIED TO PAINTED SIGN PANEL MATCH 3M MATTE WHITE 7725-20
9	1/2" MDO BOARD MANUFACTURER T.B.D. PAINTED TO MATCH 3M SULTAN BLUE 3630-157
10	VINYL "FRESENIUS KIDNEY CARE" MANUFACTURER T.B.D. 3M SULTAN BLUE 3630-157 SIGN VINYL
11	MATTE FINISH ALUMINUM APPLIED TO FACE OF MDO BOARD MANUFACTURER T.B.D. MATCH 3M MATTE WHITE 7725-20
12	4 X 4 P.I. POST MANUFACTURER T.B.D. PAINTED TO MATCH 3M MATTE WHITE 7725-20
13	PRE-CUT METAL SIGNAGE MANUFACTURER T.B.D. DARK BRONZE ANODIZED



6 TENANT BUILDING SIGNAGE
A-3 SCALE: 1" = 1'-0"

SIGNAGE AREA: 20 SQUARE FEET (x 2) = 40 S.F.



DOUGLAS C. McNAB | ARCHITECT
8148 Old Federal Road
Montgomery, AL 36117
Montgomery, AL 36124-0496
884 271 8005
MEMBER - AMERICAN INSTITUTE OF ARCHITECTS

CONCEPTUAL DESIGN
PEMBROKE PINES MEDICAL OFFICE
8100 JOHNSON STREET
PEMBROKE PINES, FL

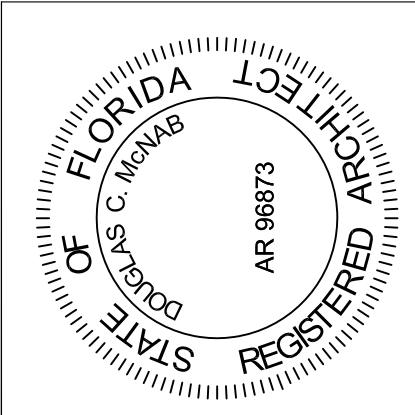
CONCEPTUAL DESIGN

Drafted By: JHD
Checked By: JHD
Date Drawn: 8/14/17
Project #: 1723

REV #	DATE	REVISION DESCRIPTION
1	9-22-2017	DRC COMMENTS
1	10-26-2017	DRC COMMENTS

A-3

Sheet Number



DOUGLAS C. McNAB | ARCHITECT

8148 Old Federal Road
Montgomery, AL 36117
Montgomery, AL 36104-0496
854.271.8005
MEMBER - AMERICAN INSTITUTE OF ARCHITECTS

CONCEPTUAL DESIGN

PEMBROKE PINES MEDICAL OFFICE

8100 JOHNSON STREET
PEMBROKE PINES, FL

CONCEPTUAL DESIGN

Drafted By: JHD
Checked By: JHD
Date Drawn: 8/14/17
Project #: 1723

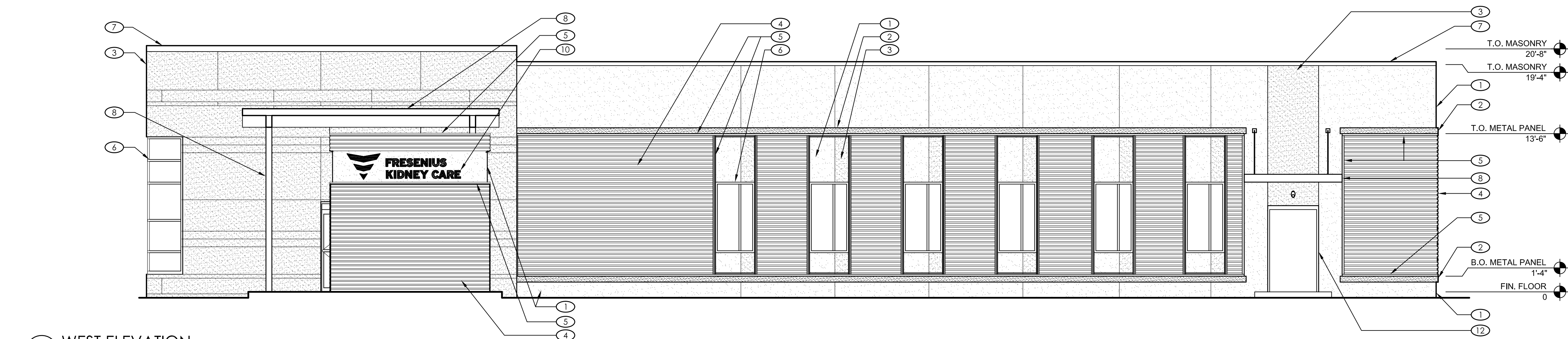
REV #	DATE	REVISION DESCRIPTION

A-4

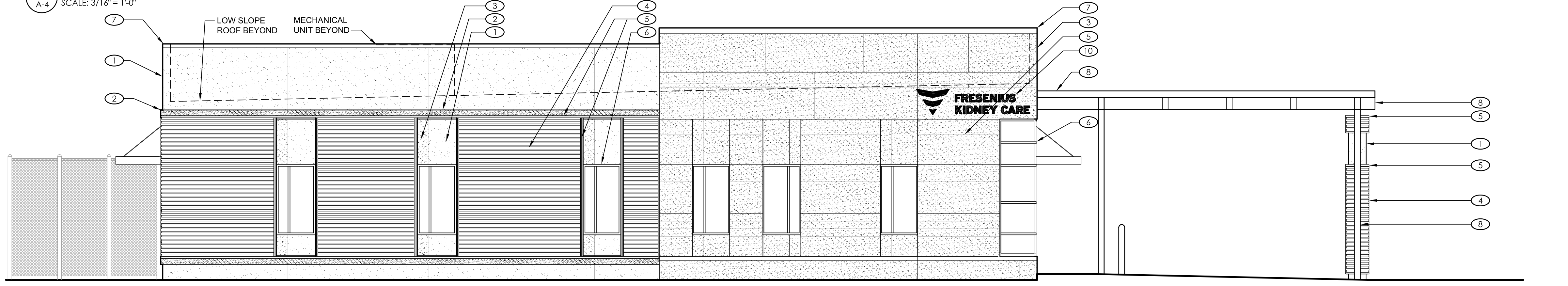
Sheet Number

EXTERIOR FINISH SCHEDULE

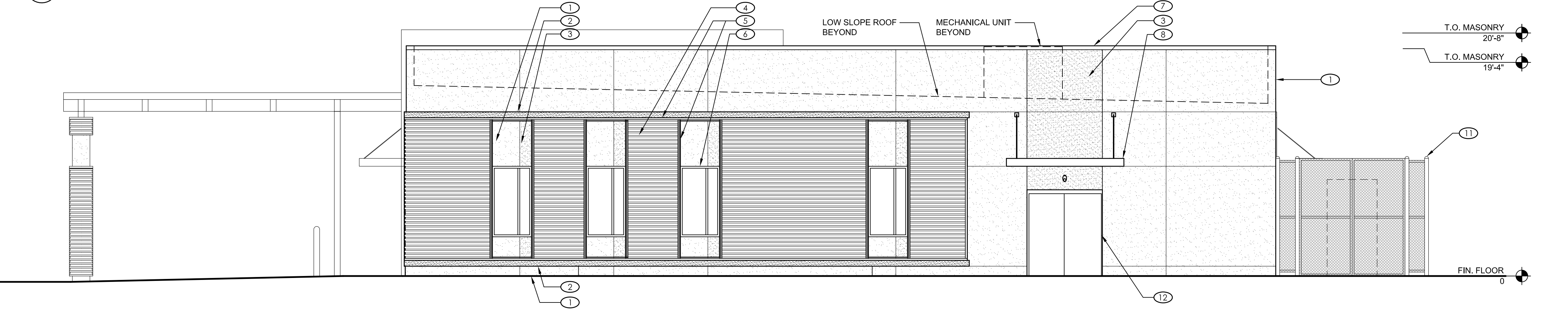
TAG	MATERIAL MANUFACTURER (PRODUCT) COLOR
1	INTEGRAL COLOR STUCCO #1 (MAIN BODY) STO POWERWALL STUCCO STO WHITE
2	INTEGRAL COLOR STUCCO #2 (ACCENT BAND) STO POWERWALL STUCCO 33144 (BROWN)
3	INTEGRAL COLOR STUCCO #3 (MAIN ENTRY/ACCENT) STO POWERWALL STUCCO 35308 (LIGHT BLUE/GREY)
4	PREFINISHED METAL PANEL BERRIDGE (HR-16 WALL PANEL) PARCHMENT (IVORY)
5	PREFINISHED METAL PANEL TRIM BERRIDGE DARK BRONZE
6	ALUMINUM STOREFRONT KAWNEER (R501 - LM1) DARK BRONZE ANODIZED
7	METAL COPING METAL-ERA (ANCHOR-TITE STANDARD FASCIA) DARK BRONZE
8	PRE-FINISHED ALUMINUM CANOPY MANUFACTURER T.B.D. DARK BRONZE ANODIZED
9	METAL GUTTERS & DOWNSPOUTS MANUFACTURER T.B.D. DARK BRONZE
10	PRE-CUT METAL SIGNAGE MANUFACTURER T.B.D. SULTAN BLUE
11	GENERATOR FENCE W/ PRIVACY SLATS MANUFACTURER T.B.D. OFF-WHITE
12	HOLLOW METAL DOOR/FRAME MANUFACTURER T.B.D. LIGHT BLUE/GREY TO MATCH STUCCO ACCENT



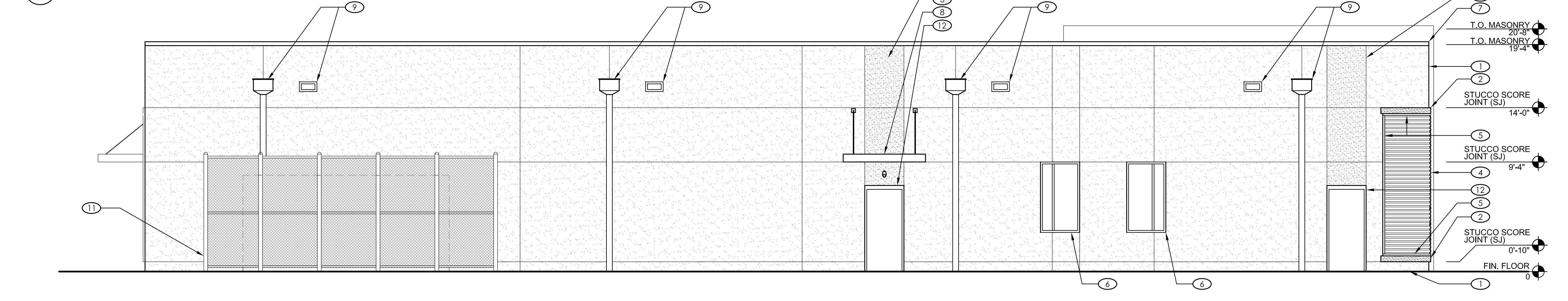
1 WEST ELEVATION
SCALE: 3/16" = 1'-0"



2 NORTH ELEVATION
SCALE: 3/16" = 1'-0"



3 SOUTH ELEVATION
SCALE: 3/16" = 1'-0"



4 EAST ELEVATION
SCALE: 3/16" = 1'-0"